

# Fuel Pump FP 200

www.bosch-motorsport.com



**BOSCH**  
Invented for life



- ▶ >200 l/h
- ▶ 1,030 g
- ▶ Max. 5 bar/8 bar
- ▶ Fuel lines screwed

The FP 200 is an inline roller cell pump for the installation outside or inside the fuel tank. It is capable of providing 200 l/h at 5 bar (8 bar). Bio-fuel can be delivered up to E85 (shortens lifetime!). The FP 200 is one of the most popular aftermarket fuel pumps and has an excellent price.

## Application

Fuel pressure	5 bar or 8 bar
Delivery rate at 5 bar and 22°C	260 ± 5 l/h at 14 V
Delivery rate at 8 bar and 22°C	220 ± 5 l/h at 14 V
Pressure limiting valve	10 to 12.5 bar rel.
Fuel compatibility	E85
Operating temperature range	-20 to 90°C
Storage temperature range	-40 to 70°C
Max. vibration	3 mm at 10 to 18 Hz ≤40 m/s <sup>2</sup> at 18 to 60 Hz

## Technical Specifications

### Mechanical Data

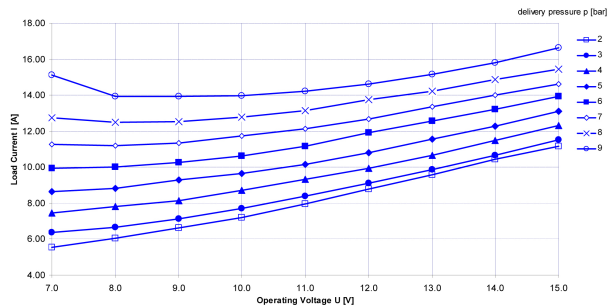
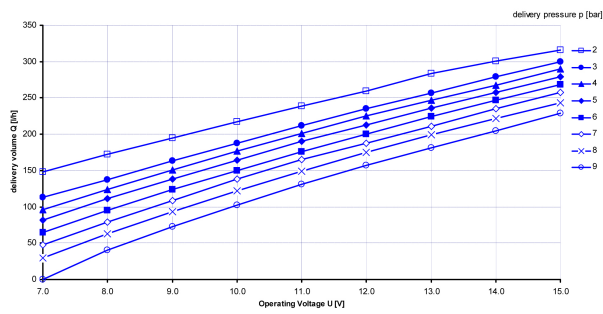
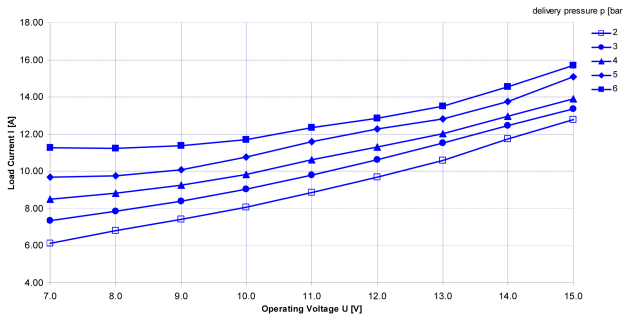
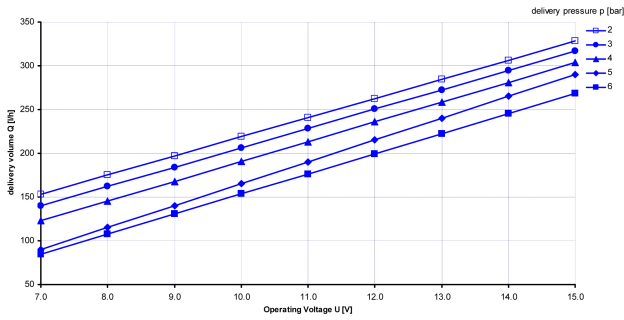
Diameter	60 mm
Length	196 mm
Weight	1,030 g
Mounting	Clamping

### Electrical Data

Supply voltage	6 to 16.5 V
Operating voltage	13.8 V
Load current at 5 bar and 22°C	14 ± 1 A
Load current at 8 bar and 22°C	15 ± 1 A

### Characteristic

Surface coating	None
Color	Silver
Non-return valve	External
Fuel filtering	External, on pressure side



### Installation Notes

With E26/E85 or Diesel fuel run-time max. 500 h.

For technical reasons the values may vary.

Please use within the specified limit values only.

Please find further application hints in the offer drawing at our home-page.

### Ordering Information

#### Fuel Pump FP 200, 5 bar

Order number 0 580 254 044

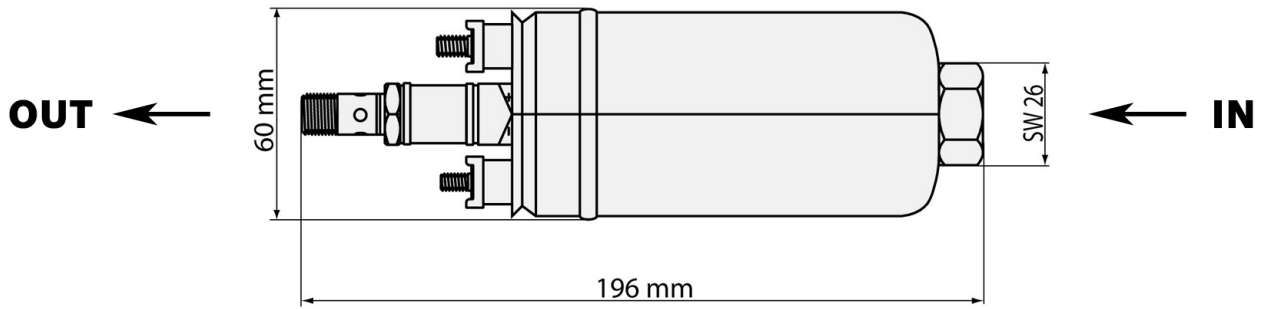
#### Fuel Pump FP 200, 8 bar

Order number B 261 205 413-01

### Connectors and Wires

Electrical connector	+M6/-M5
Electrical matting connector	With ring wire M6 and M5
Mechanical connector intake side	M18x1.5
Mechanical connector pressure side	M12x1.5

Dimensions



Represented by:

**Europe:**  
Bosch Engineering GmbH  
Motorsport  
Robert-Bosch-Allee 1  
74232 Abstatt  
Germany  
Tel.: +49 7062 911 79101  
Fax: +49 7062 911 79104  
motorsport@bosch.com  
www.bosch-motorsport.de

**North and South America:**  
Bosch Engineering North America  
Motorsport  
38000 Hills Tech Drive  
Farmington Hills, MI 48331-3417  
United States of America  
Tel.: +1 248 876 2977  
Fax: +1 248 876 7373  
motorsport@bosch.com  
www.bosch-motorsport.com

**Asia-Pacific:**  
Bosch Engineering Japan K.K.  
Motorsport  
18F Queen's Tower C, 2-3-5 Minato Mirai  
Nishi-ku, Yokohama-shi  
Kanagawa 220-6218  
Japan  
Tel.: +81 45 650 5610  
Fax: +81 45 650 5611  
motorsport@bosch.com

**Australia and New Zealand:**  
Robert Bosch Pty. Ltd  
1555 Centre Road  
Clayton, Victoria, 3168  
Australia  
Tel.: +61 (3) 9541 3901  
Fax: +61 (3) 9541 7225  
motor.sport@au.bosch.com